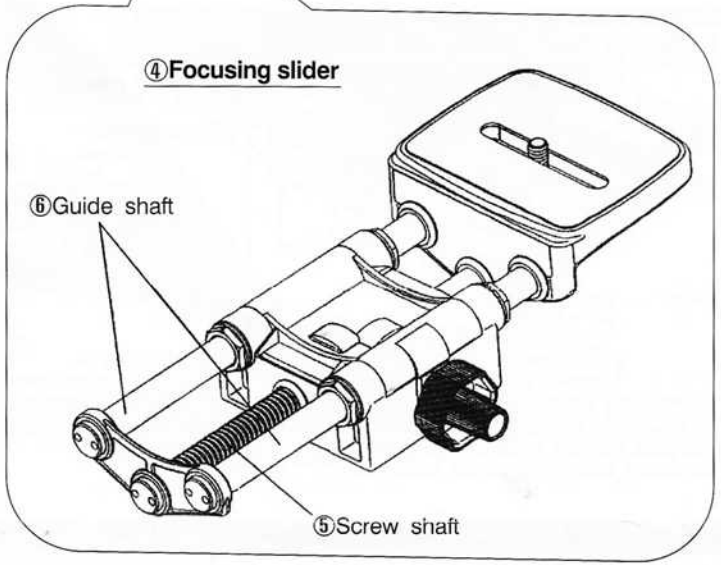
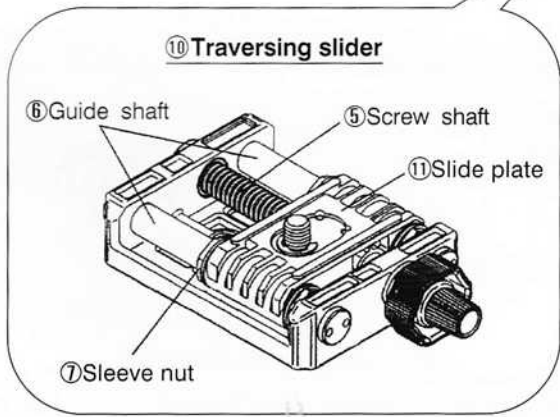
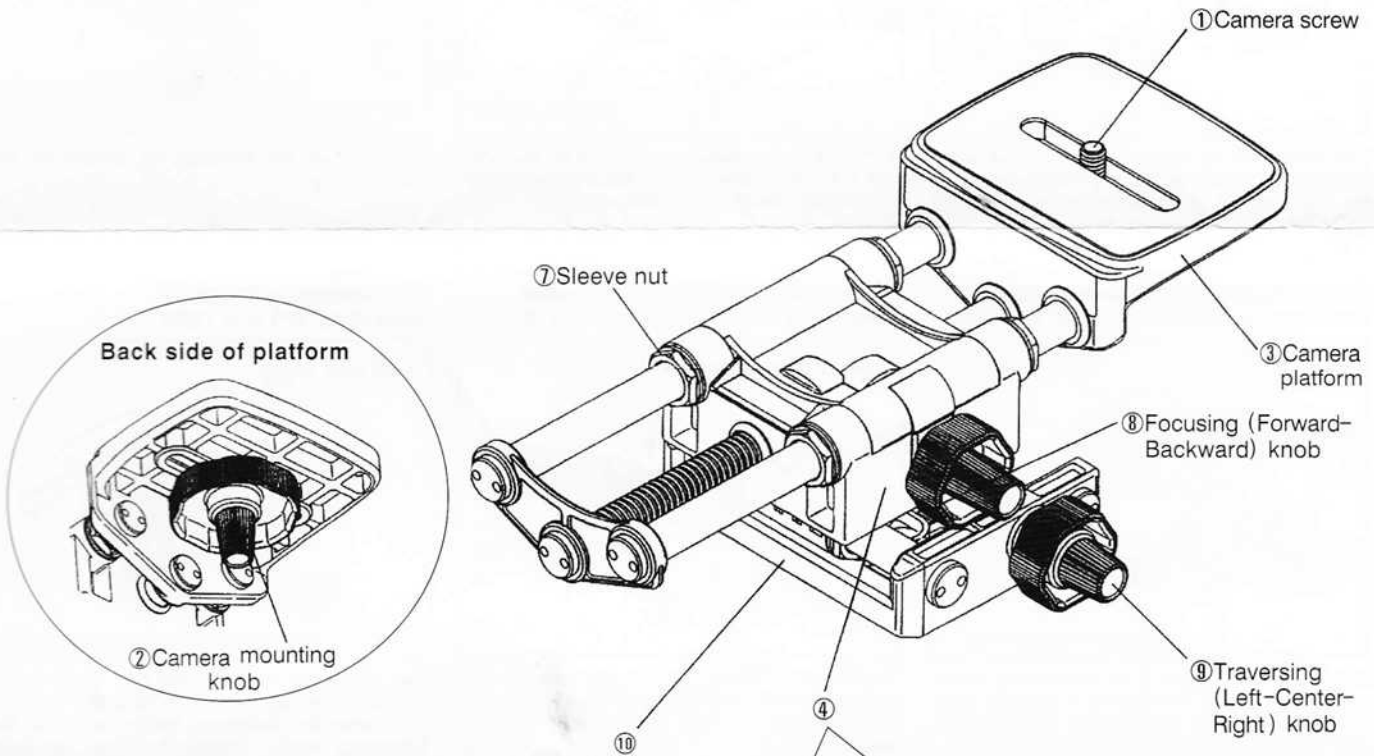


Super Mag Slider

Thank you very much for purchasing Velbon Super Mag Slider. Please read these instructions carefully and completely to insure proper handling before use.



The name of each part



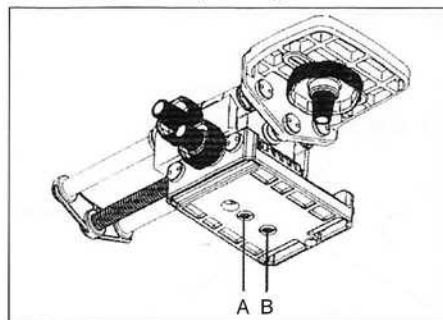
Specification

Width : 120mm, 4.7"
 Length : 210mm, 8.3"
 Height : 70mm, 2.8"
 Movement
 Forward/Backward : 60mm, 2.4"
 Left/Right : 30mm, 1.2"
 Weight : 470g, 16.6oz
 Color : Black
 Material : Magnesium

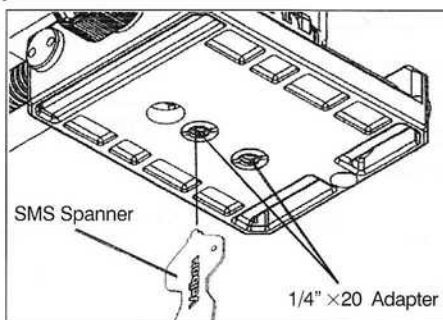
Attached tools

- | | | |
|--------------|---|---|
| Hex . wrench | 1 |  |
| SMS Supanner | 1 |  |

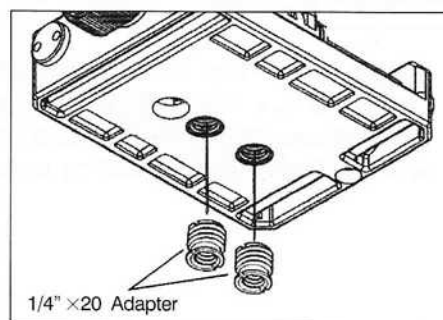
Attaching the Super Mag Slider to the tripod



Use either A or B camera screw mounts when attaching the Super Mag Slider to the tripod. Choose the mount which offers better balance, this will depend on the position of the tripod screw.

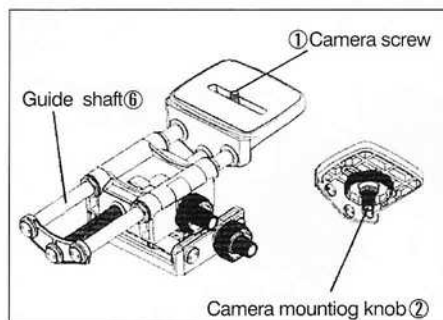


Both A and B camera screw mounts are fitted with 1/4"×20 adapters. If the tripod screw is 3/8"×16 thread simply remove the adapters.



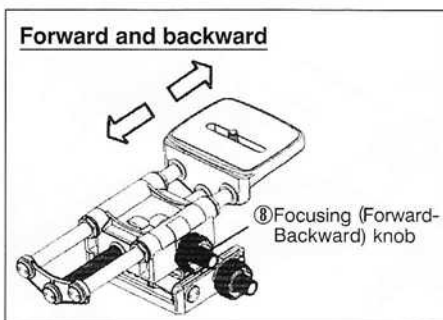
Adapter can be removed as shown in the illustration.

Mounting your Camera to the Super Mag Slider



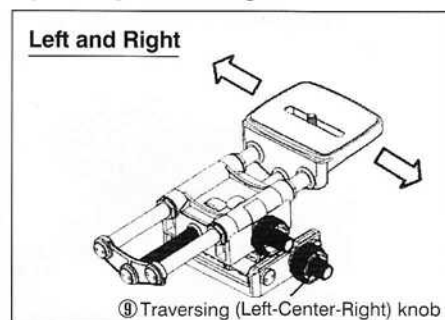
Align the camera screw ① to the camera screw mount and tighten the Camera mounting knob ②. The lens should face forward to the Guide shaft ③ when mounting the camera.

Operating forward and backward



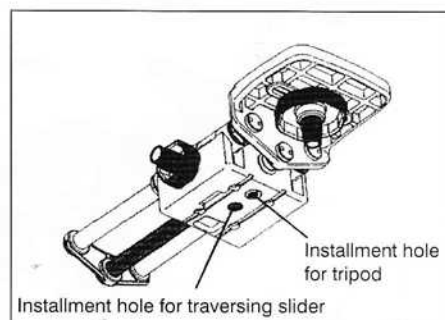
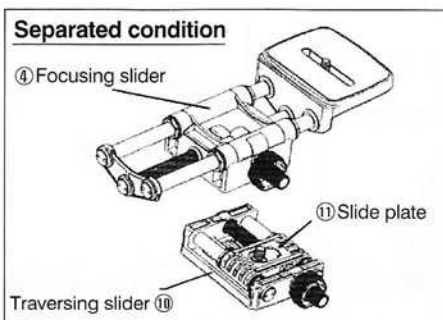
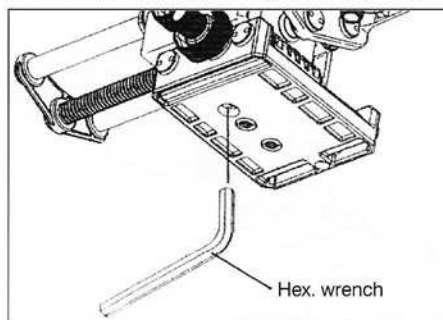
The Focusing knob ⑧ adjusts forward and backward movement. The spiral gear is designed to lock in place when the Focusing knob is released. The Focusing knob moves in 4mm or 0.16" increments allowing for precise camera positioning.

Operating left and right



The Traversing knob ⑨ adjusts left and right operation. The screw gear is designed to lock in place when the Traversing knob is released. The Traversing knob moves in 4mm or 0.16" increments allowing for precise camera positioning.

Detaching and attaching top and bottom



The Focusing slider ④ can be used separately if left and right adjustments are not needed. Use the enclosed Hex wrench to remove the Traversing slider ⑩. To detach, turn the Traversing knob ⑨ to the right to expose Hex nut on the bottom of the Slide plate ⑪. Insert Hex wrench as shown in the illustration and turn to the left to detach. To reattach simply reverse this procedure.

Velbon

VELBON CORPORATION

Velbon Bldg. 1-5, Nogata 6-Chome
Nakano-Ku Tokyo 165-0027 Japan
<http://www.velbon.com>



This document was archived February 2014 for photomacrography documentation purposes at the <http://extreme-macro.co.uk> extreme macro website. All rights reserved by the document authors.