

INSTRUCTION MANUAL

Nissin SC-01 Universal Shoe Cord is developed for off camera flash photography. It has a multiple contact pins to use compatibly with those cameras with hot shoe contact listed below. No conversion switch is required for respective cameras. Off camera TTL flash photography is possible. up to 150cm(4.5ft.) maximum. Since this cord provides a TTL hot shoe at main body, too, it enable to attach two flash units, on the top of camera and the off camera side, together.

Available Cameras (Ref: Specification):

- Canon Powershot Hotshoe type Digital cameras
- Nikon Digital SLR cameras
- Nikon Coolpix Hotshoe type Digital cameras
- Fujifilm Finepix Digital cameras
- Pentax Digital SLR cameras
- Samsung Digital SLR cameras

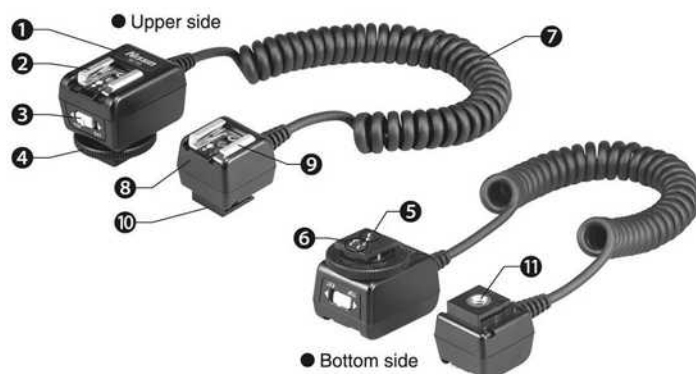
Available Flashes (Ref: Specification):

When using the flash unit not applicable for those cameras, it may damage either camera or flash unit.

Read this instruction manual for safety operation and enjoy your flash photography. Refer your camera or flash owner's manual for these operation details.

Nomenclature

- 1 Main Body(Camera side)
- 2 Main TTL Shoe
- 3 Select Switch
- 4 Lock Ring
- 5 Lock Pin
- 6 Multi Contact Pins
- 7 Connecting Cord
- 8 Off Camera Body
- 9 Off Camera TTL Shoe
- 10 Mounting Foot
- 11 Tripod Screw Hole



Attaching SC-01

Turn the lock ring at Main Body to loosen it, and insert the Mounting Foot on to the camera's hot shoe. Turn to opposite direction to tighten it. The foot is firmly placed on the hot shoe by the lock pins coming out from the bottom.

Note: When removing this unit, please make sure to loosen the lock ring enough to release the lock pins free from the hot shoe.

How to use

Note: When placing or removing the flash unit, make sure to switch it off.

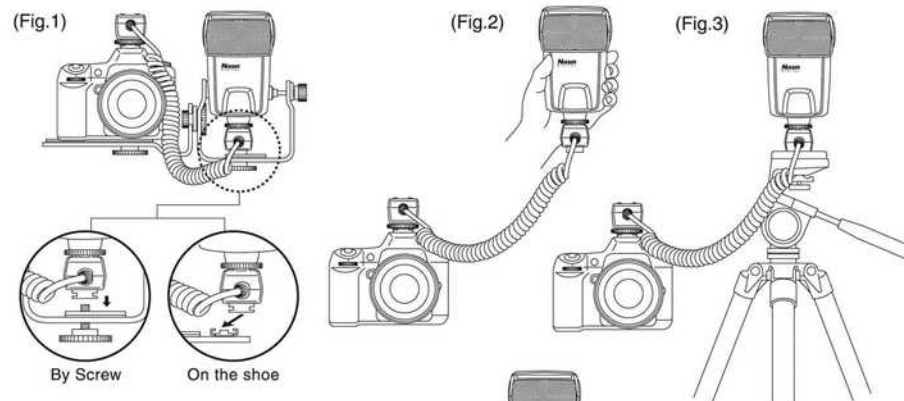
1. Using one flash

- 1.1. Slide the Mounting Foot into the Off Camera TTL Shoe. Lock the foot of your flash if it has a lock system.
- 1.2. Set the select switch position to EXT.
- 1.3. Turn the flash on, and it's ready to shoot when the ready light comes on. Enjoy off camera flash photography as examples shown.
 - 1.3.1. Placing the flash unit on the camera bracket. (Fig.1)
 - 1.3.2. Holding the flash unit by one hand and set it away from the camera. (Fig.2)
 - 1.3.3. Mounting the flash unit on the tripod. (Fig.3)
 - 1.3.4. Attaching the flash unit on the top of camera.(Main TTL Shoe) (Fig.4)

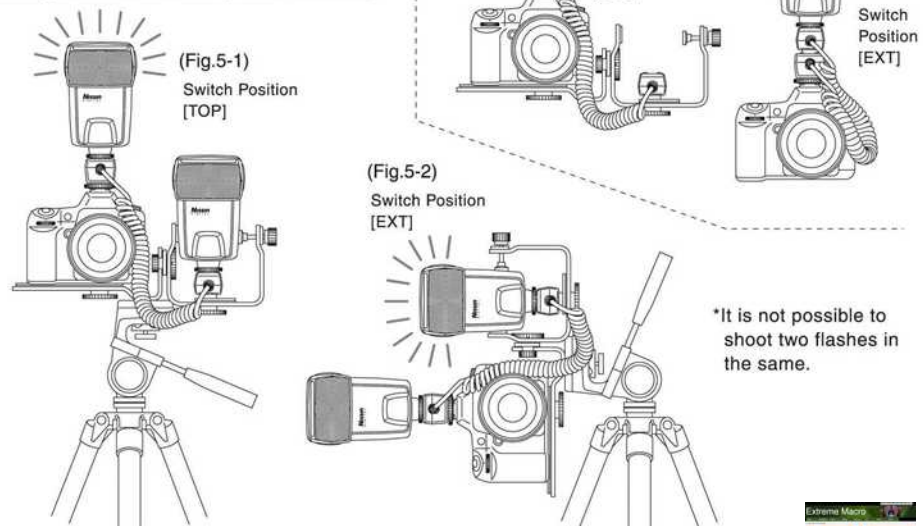
2. Using two flashes [It is not possible to shoot two flashes in the same time] (Fig.5)

- 2.1. Place one flash in the same procedure as above 1.1.
- 2.2. Slide the second flash into the Main TTL Shoe.
- 2.3. Turn on two flashes.
- 2.4. Choose either flash you desire to shoot, on the Main TTL Shoe or on the Off Camera TTL Shoe.
- 2.5. To shoot the flash on the Main TTL Shoe, set the select switch position to TOP, and for flash on the Off Camera TTL Shoe, set the select switch position to EXT.
- 2.6. While mounting the two flashes together, you can quickly choose the flash lighting source you prefer, either from camera or off camera, in accordance with its photographic situation.

Using one flash unit



Using two flashes together



Specification

Usable Cameras	Usable Flashes
Canon E-TTL, E-TTLII hotshoe cameras Nikon i-TTL hotshoe cameras Pentax P-TTL hotshoe cameras Fujifilm Finpix SLR cameras Samsung SLR cameras	Nissin Di28, Di466, Di622 Canon flashes corresponding to E-TTL, E-TTL II system Nikon flashes corresponding to i-TTL system Pentax flashes corresponding to P-TTL system Fujifilm flashes corresponding to Finpix SLR cameras Samsungflashes corresponding to Samsung SLR cameras Sunpak flashes corresponding to the cameras listed above Sigma flashes corresponding to the cameras listed above Metz flashes corresponding to the cameras listed above
Length	300mm(12inches) approx. when folding 1500mm(60inches) approx. when using
Weight	105g. (3.7oz.) approx.

CAUTION: This product is not water resistance. Keep the unit away from rain, snow or humidity. Do not use benzene, thinner or other alcoholic agents to clean the unit. It may be discolored or transformed. A soft dried cloth is recommended to wipe it..

WARANTEE :

In case of the following reason of the defect, it may void the warrantee. Please refer the respective warrantee condition for details which depend on the country by country.

- 1.The product is not used in accordance with the instruction of the owner's manual.
- 2.The product is repaired or modified by the one who is not an authorized repair service agent.
- 3.When the products is used with the cameras not applicable, lens, adaptors or such accessories produced by the third party.

- 4.Fault or defect caused by fire, earthquake, flood, public pollution and such natural accident.
- 5.In case that the product is stored in dust, moisture, extremely high temperature or such poor condition.
- 6.Scratch, blemish, crush or worn out by a violently use or treatment.
- 7.Guarantee card without name of place purchased or date of purchase stamped, or no guarantee card.

